

STONE

**TYPE**

non-folding

FILLING

flexible stripes

SoftLayers™ system – a composition of specially selected flexible foams to ensure the best comfort

selected natural feathers of high elasticity class/
possible replacement with anti-allergic filling

BACKREST PILLOWS

selected natural feathers of high elasticity class/
possible replacement with anti-allergic filling

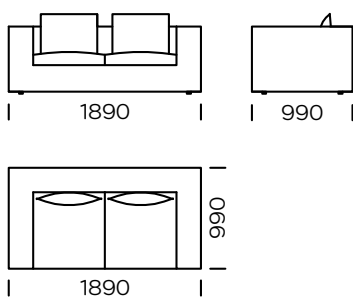
LEGS

solid oak wood, black color

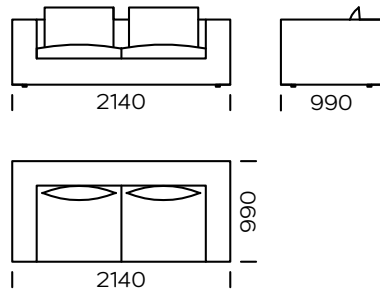
Stone is a comfortable modular system that perfectly matches modern loft rooms. It has wide armrests forming one line with the backrest, which are additionally equipped with loose and soft backrest pillows, for better comfort. The whole is decorated with impressive seams, which also emphasize its high quality workmanship. Stone is a model that will be particularly appreciated by enthusiasts of modern and minimalist forms.

| Technical information Sofa STONE (mm) | | | | | |
|---------------------------------------|----------------|-----|---|---------------|---------|
| 1 | Total high | 790 | 5 | Armrest width | 240 |
| 2 | Seat height | 430 | 6 | Total depth | 990 |
| 3 | Armrest height | 660 | 7 | Seat depth | 650-700 |
| 4 | Legs height | 20 | 8 | Sleeping area | - |

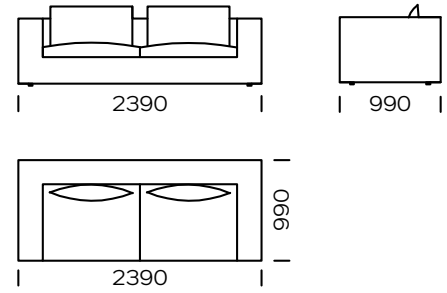
Sofa 1



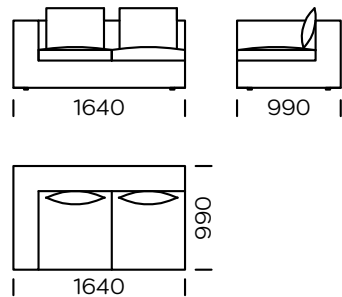
Sofa 2



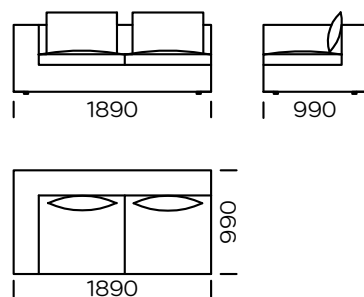
Sofa 3



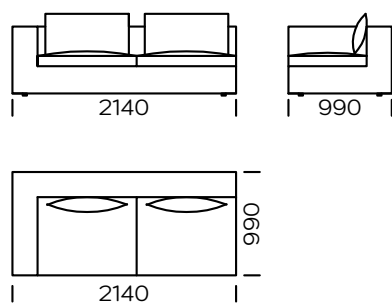
Left seat 1



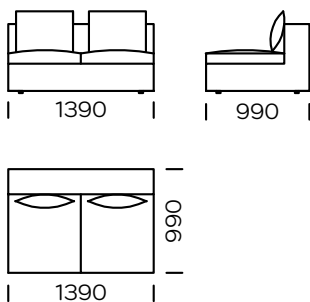
Left seat 2



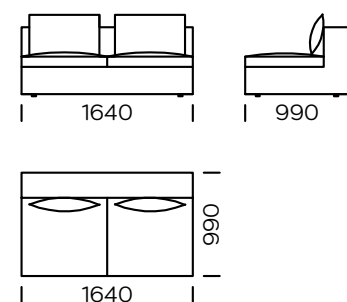
Left seat 3



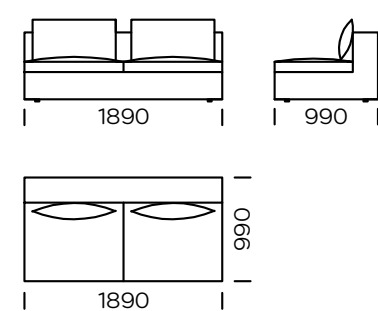
Central Seat 1



Central Seat 2

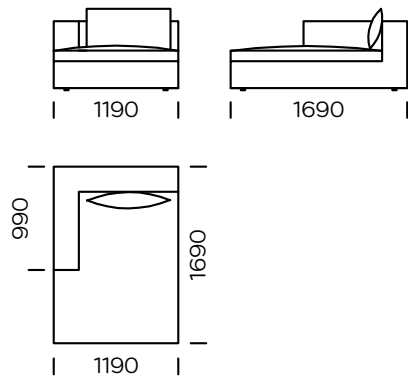


Central Seat 3

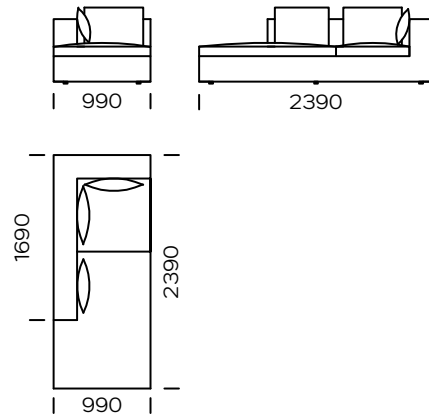


All offered elements can be order in the left and right option

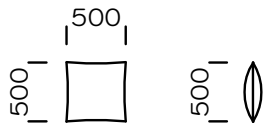
Left chaise longue 1



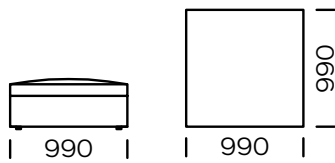
Left chaise longue 2



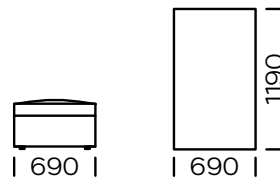
Cushion



Pouf 1



Pouf 2



All offered elements can be order in the left and right option