

# FEZA



## TYPE

non-folding

## FILLING

flexible stripes

SoftLayers™ system – a composition of specially selected flexible foams to ensure the best comfort selected natural feathers of high elasticity class/ possible replacement with anti-allergic filling

## LEGS

metal, mat black color

## SHELF

oak wood



oak veneer



black oak veneer



american walnut

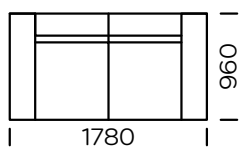


eko-leather

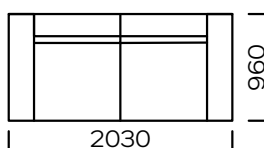


Technical information Sofa FEZA (mm)					
1	Total high	790	5	Shelf width	340
2	Seat height	420	6	Total depth	960
3	Armrest narrow (h x w)	620/230	7	Seat depth	650
4	Armrest wide (h x w)	570/340	8	Legs height	140

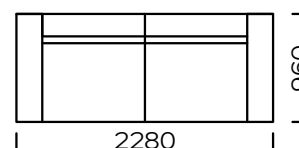
Sofa A1



Sofa A2

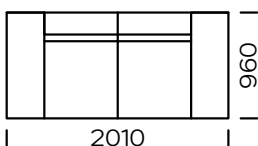
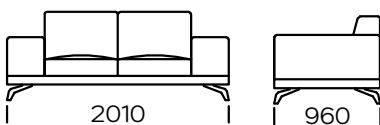


Sofa A3

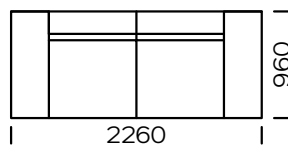
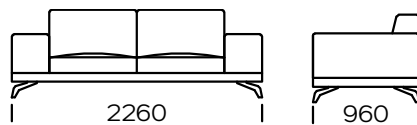


The sofa A1/A2/A3 is equipped with narrow armrests

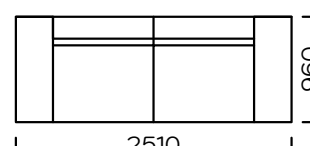
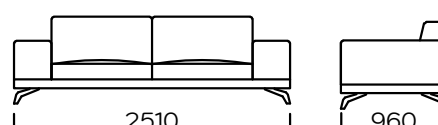
Sofa B1



Sofa B2

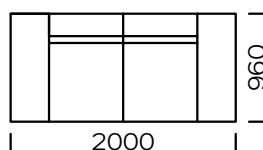


Sofa B3

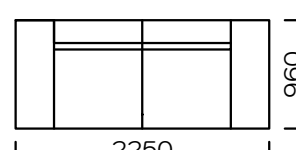


The sofa B1/B2/B3 is equipped with wide armrests

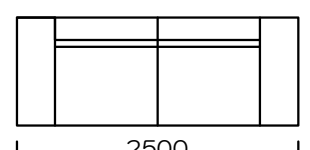
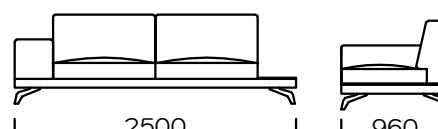
Sofa C1 - right shelf



Sofa C2 - right shelf



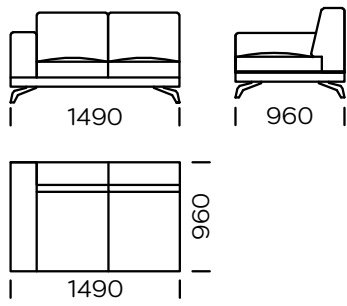
Sofa C3 - right shelf



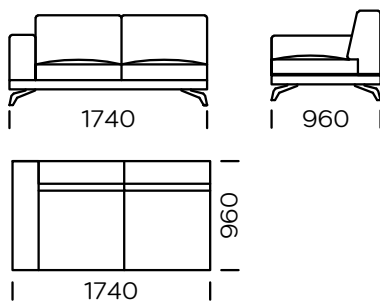
The sofa C1/C2/C3 is equipped with wide armrest and a shelf

All offered elements can be order in the left and right option

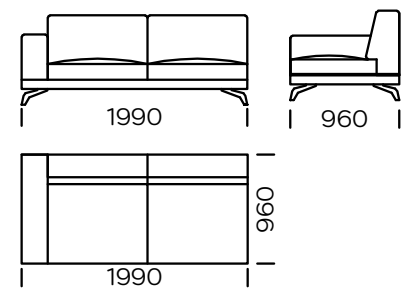
Left seat A1



Left seat A2

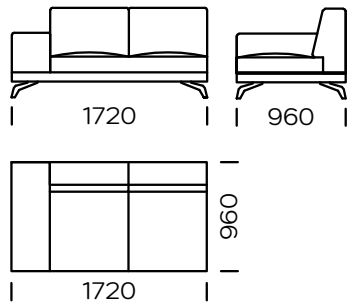


Left seat A3

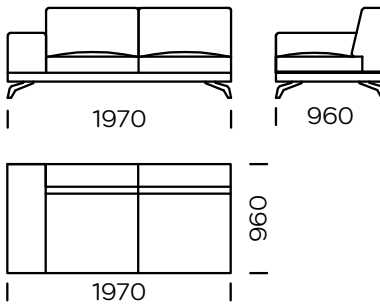


The seat A1/A2/A3 is equipped with narrow armrest

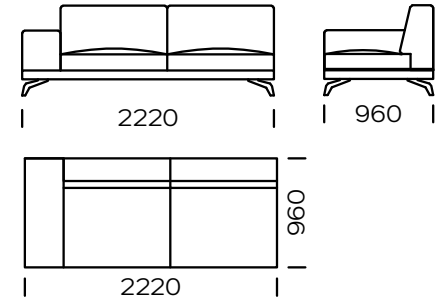
Left seat B1



Left seat B2

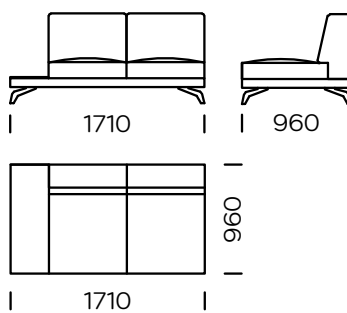


Left seat B3

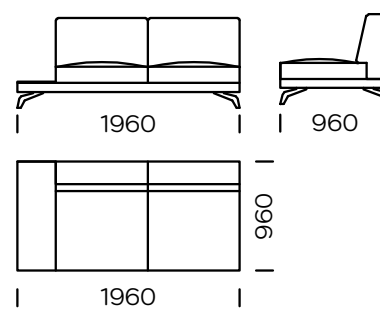


The seat B1/B2/B3 is equipped with wide armrest

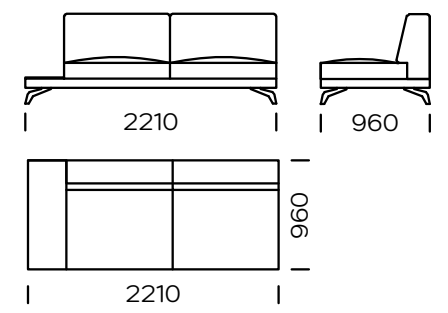
Left seat C1



Left seat C2



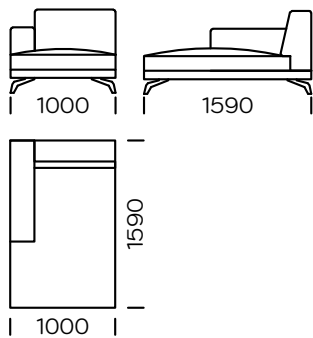
Left seat C3



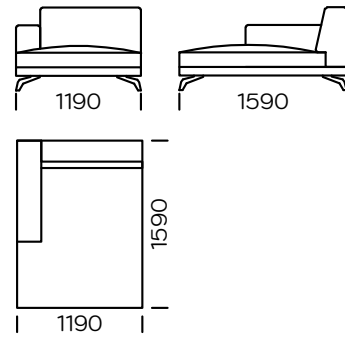
The seat C1/C2/C3 is equipped with a shelf

All offered elements can be order in the left and right option

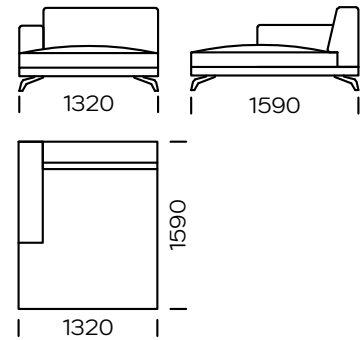
Left chaise longue A1



Left chaise longue A2

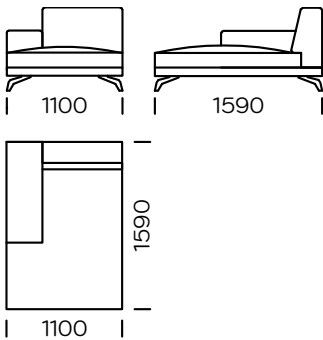


Left chaise longue A3

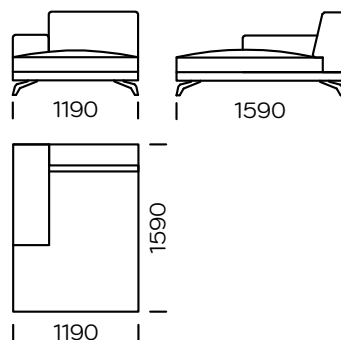


The chaise longue A1/A2/A3 is equipped with narrow armrest

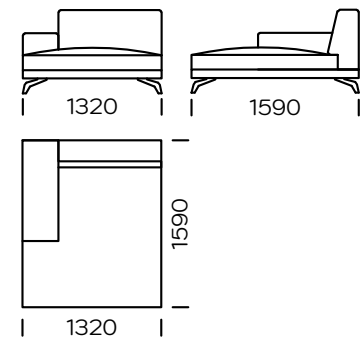
Left chaise longue B1



Left chaise longue B2

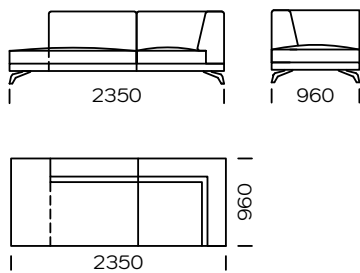


Left chaise longue B3

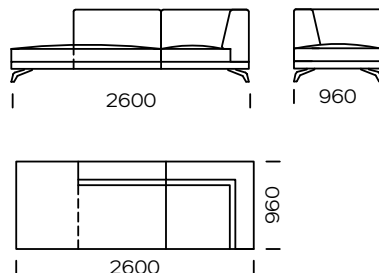


The chaise longue B1/B2/B3 is equipped with wide armrest

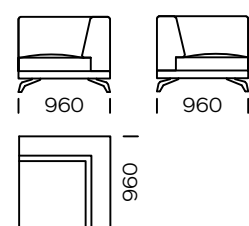
Left couch A



Left couch B

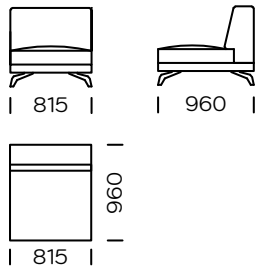


Corner seat

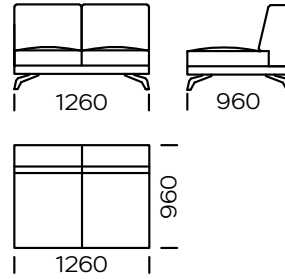


All offered elements can be order in the left and right option

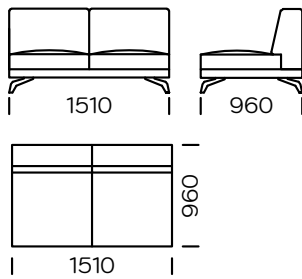
Central seat 1



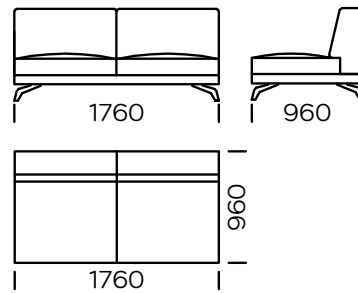
Central seat 2



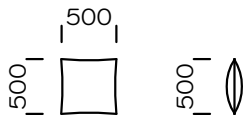
Central seat 3



Central seat 4



Cushion

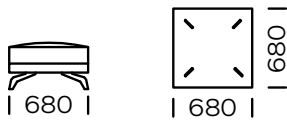


Lumbar pillow



Cushion 5 cm narrower on each side of the backrest depending on the model chosen

Pouf



All offered elements can be order in the left and right option