

# BEONE



## **TYPE**

non-folding

## **FILLING**

flexible stripes

SoftLayers™ system – a composition of specially selected flexible foams to ensure the best comfort  
selected natural feathers of high elasticity class/  
possible replacement with anti-allergic filling

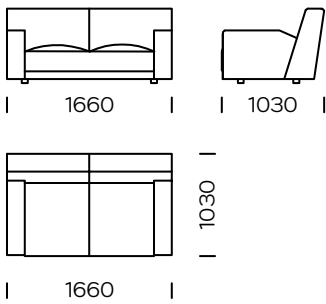
## **LEGS**

solid oak wood, black color

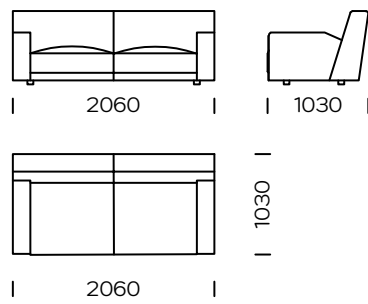
The Beone sofa is an offer for those who enjoy ageless classics. The skillful combination of modern, but not intimidating design makes it possible to arrange it in almost any room. Its primary assets are its oblique backrests and armrests, which, together with its suitable filling, guarantees extraordinary comfort. The whole is standing on short legs, which results in its levitating appearance.

Technical information (mm)					
1	Total height	750	5	Total depth	1030
2	Seat height	380	6	Seat depth	700
3	Armrest height	530	7	Legs height	40
4	Armrest width	180			

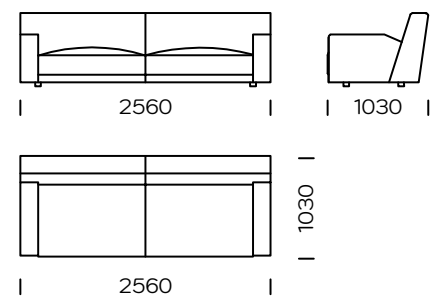
Sofa 1



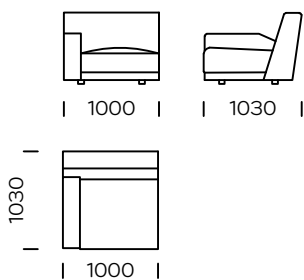
Sofa 2



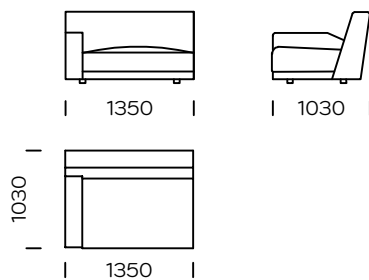
Sofa 3



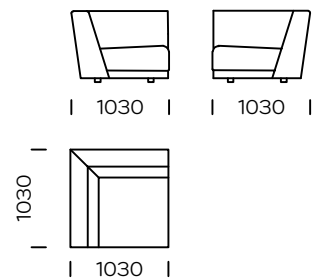
Left seat 1



Left seat 2

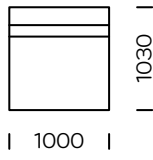
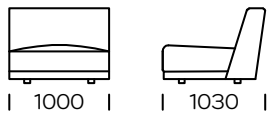


Corner seat

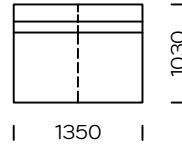
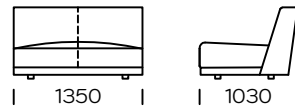


All offered elements can be order in the left and right option

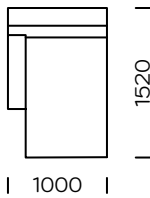
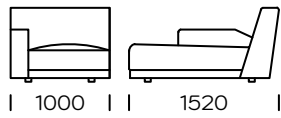
Central seat 1



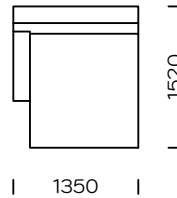
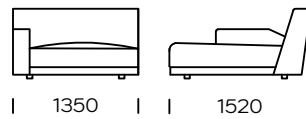
Central seat 2



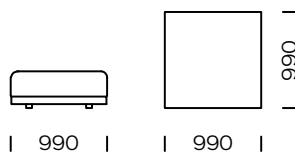
Left chaise longue 1



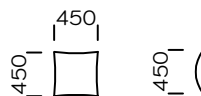
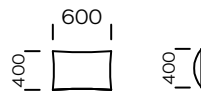
Left chaise longue 2



Pouf



Cushion



All offered elements can be order in the left and right option